



## Product Overview

GA-25 is a maritime GNSS antenna designed for the tough marine environment. This antenna enables the required GPS function for AIS systems, chartplotters, and other navigational devices. Many AMEC devices are GPS ready, simply connect this GNSS antenna to see your vessel location, speed, and other information.

## Key Features

- ▶ Built-in LNA (Low Noise Amplifier)
- ▶ Compliant with IEC 60945
- ▶ GNSS support: GPS, GLONASS, Galileo and Beidou

## Specifications

### ▶ GNSS ANTENNA & LNA

Frequency	GPS: 1575.42 ± 1.023 MHz GLONASS: 1602 ± 5 MHz Beidou: 1561.098 ± 2.046 MHz Galileo: 1577 ± 14 MHz
Gain	GPS: 31.7 dB typ. @ 3.3V dc GLONASS: 27 dB typ. @ 3.3V dc Beidou: 31 dB typ. @ 3.3V dc Galileo: 31.8 dB typ. @ 3.3V dc
Noise Figure	0.95 dB typical
VSWR	2 max
Impedance	50 Ω
Connector	TNC type

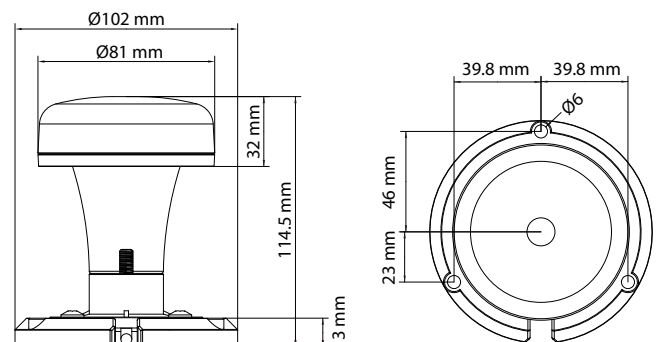
### ▶ ENVIRONMENTAL

Operating Temperature	-30 °C ~ +55 °C
Relative Humidity	93% @ 40 °C, non-condensing
Water Resistance	IP68

Note: Specifications are subject to change without prior notice.

### ▶ PHYSICAL

Dimension	81 mm (D) x 81 mm (H)
Mounting	102 mm (D) x 13 mm (H)
Weight	585 g (incl. cable and mounting)
Connector	TNC (male)
Cable Type	RG-58
Cable Length	10 meter



## Sales Contact

For more information, please contact your local representative or Alltek Marine at

sales@alltekmarine.com

[www.alltekmarine.com](http://www.alltekmarine.com)

Distributor/Dealer