



Simply Clear.

Product Overview

The AMEC CYPHO-150 is an AIS receiver compliant with international standards.

Built with two parallel AIS receivers, CYPHO-150 offers superb receiving sensitivity to ensure maximum reception range of all AIS messages. Its extensive connection interface and USB powering make the installation easy - a great choice of those who want more safety at sea.

Key Features

- ▶ Able to receive all AIS information (Class A, Class B, etc.)
- ▶ Sophisticated dual-channel receivers for exceptional receiving sensitivity
- ▶ Compact and robust housing design
- ▶ NMEA 0183 and USB for easy installation
- ▶ Plug and play via USB powering
- ▶ Supplied with user-friendly AMEC AIS Viewer software for PC
- ▶ Built-in VHF antenna splitter with low insertion loss (CYPHO-150S only)

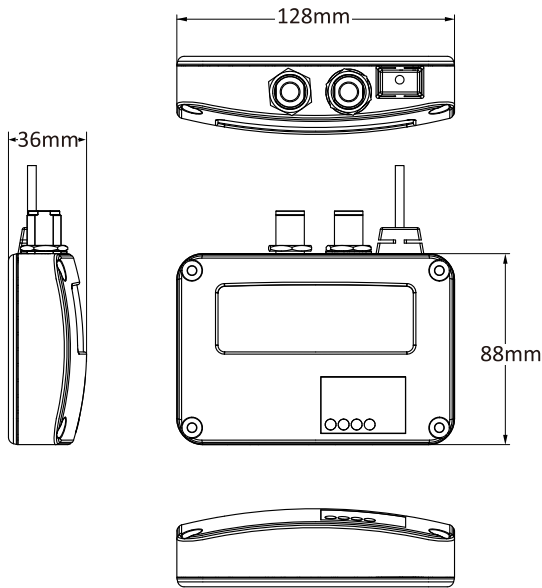
Ordering Information

Model	Interfaces Supported			
	VHF Antenna	NEMA0183	USB	VHF Radio
CYPHO-150	•	•	•	
CYPHO-150S	•	•	•	•

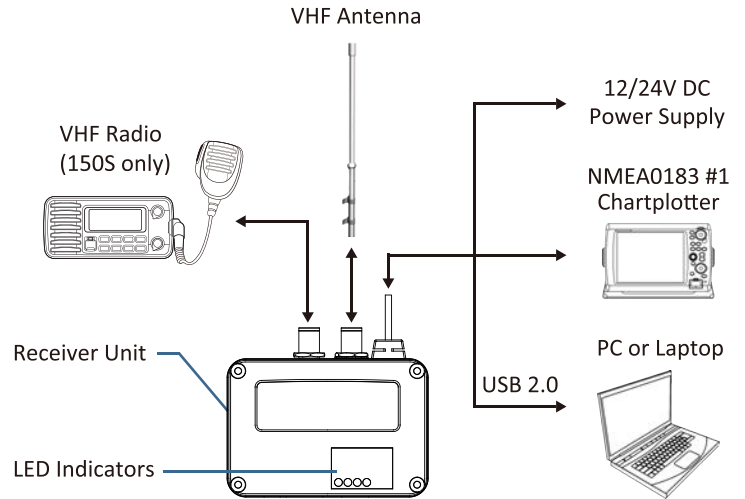
Application



DIMENSIONS



CONNECTION DIAGRAM



SPECIFICATIONS

▶ APPLICABLE STANDARDS

IEC 60945 Ed.4.0 2002	IEC 62287-1 Ed. 2.1:2017 (applicable)
ITU-R M.1371	EN 62368-1:2014 + A11:2017

▶ AIS RECEIVER

Number of AIS Receivers	2 channels
Frequency Range	156.025 ~ 162.025 MHz
CH-1	Default CH 87B (161.975MHz)
CH-2	Default CH 88B (162.025MHz)
Channel Bandwidth	25KHz
Message Format	AIS Class A & B messages
Data Rate	9,600bps / per channel
Receive Sensitivity	-112 dBm @ PER ≤ 20%

▶ POWER SUPPLY

Supply Voltage	12 / 24V DC
Power Consumption	<1.50 Watt

▶ LED INDICATION

CYPHO-150	Power, Error, AIS Rx
CYPHO-150S	Power, Error, AIS Rx, Radio Tx

▶ RF PERFORMANCE (CYPHO-150S only)

VHF Port Insertion Loss	Receiver Path	3.5dB
	Transmit Path	1.2dB

▶ EXTERNAL CONNECTORS

VHF Antenna Connector	SO-239 (Female)
NMEA 0183	38400 (default), 9600, 4800 bps
USB 2.0	Supported
VHF Radio	Supported (CYPHO-150S only)

▶ ENVIRONMENTAL

Operating Temperature	-15°C~55°C
Storage Temperature	-25°C~70°C
Humidity Operation	0~95% RH at 40°C
Vibration	IEC 60945
Waterproof	IPX2

▶ PHYSICAL

Length	128 mm (4.99 in)
Width	36 mm (1.40 in)
Depth	88 mm (3.43 in)
Weight	210 g (including cable)

Note: Specifications are subject to change without prior notice.



Alltek Marine Electronics Corporation

14F-2, No. 237, Sec. 1, Datong Road, Xizhi District,
New Taipei City, 22161, Taiwan
Tel: +886 2 8691 8568 Fax: +886 2 8691 9569

Sales Contact

For more information, please contact your local representative or Alltek Marine at

sales@alltekmarine.com

www.alltekmarine.com

Distributor/Dealer